

DESCRIPTION

The Electro-Voice Model 719 is a ceramic omnidirectional microphone especially designed for a wide variety of communications and paging applications. It is adaptable for amateur, CB mobile and base station installations, as well as for paging applications. The smooth frequency response makes the model 719 highly useful for a wide variety of public address applications.

The attractively styled, rugged, die-cast stand is carefully balanced for hand-held use as a "grip-to-talk" microphone, yet will remain firmly positioned for "touch-to-talk" use. The lifetime switch assembly has survived many hundreds of thousands of use cycles—assuring the ultimate in reliability. Removal of one mounting screw permits changing the entire switching mode from "touch-to-talk" to "grip-to-talk." A unique locking feature permits locking switch in the "on" position for "hands free" operation in either "grip-to-talk" or "touch-to-talk" mode.

The Model 719 is shipped wired for either electronic or relay switching, selectable at the free end of the cable.

SPECIFICATIONS

Element:	Ceramic
Frequency response:	80 – 7,000 Hz
Polar pattern:	Omnidirectional
Impedance:	Hi-Z
Output Level:	-56 dB
EIA sensitivity rating:	-156 dB
Case:	Die-cast zinc
Dimensions:	9 $\frac{3}{4}$ " h. x 4 $\frac{1}{2}$ " w. x 4 $\frac{3}{4}$ " d.
Finish:	TV gray and satin chrome
Net weight:	2 $\frac{1}{4}$ pounds

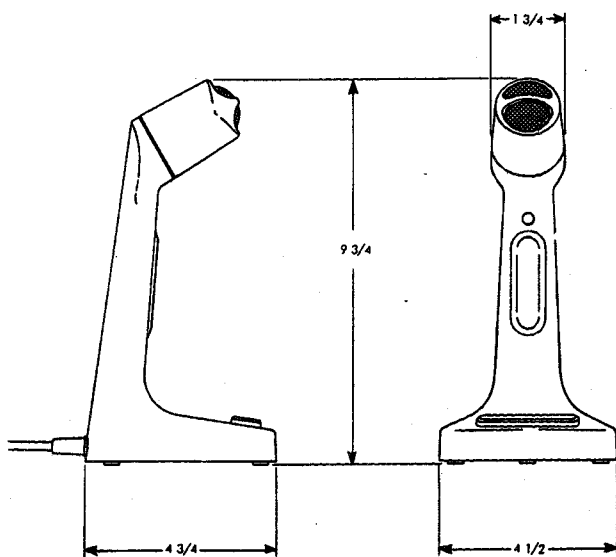


Figure 1 – Dimensions

Switch:	DPDT, long-life switch shorts microphone in "off" position. Electronic or relay switching selectable at free end of cable.
Cable:	6 $\frac{1}{2}$ ', 4-conductor, 1-shielded, black plastic covered.



ARCHITECTS' AND ENGINEERS' SPECIFICATIONS

The microphone shall be an Electro-Voice Model 719 or equivalent. The microphone shall be an omnidirectional, ceramic type with response from 80 to 7,000 Hz. The microphone output shall be high impedance. The output level shall be -56 dB with O equaling 1 volt/dyne/cm². EIA sensitivity rating shall be -156 dB at high impedance. The microphone case shall be pressure-cast zinc, and shall include a pressure-cast table stand integral with the microphone case. The complete assembly shall be 9¾" high, 4¾" deep, and 4½" wide. A DPDT switch shall be provided, one section of which shall normally short-circuit the transducer when switch is in "off" position and remove short-circuit in the "on" position. A second section of switch shall be provided with capability of function either in electronic switching mode, or for operation of external relay. A locking feature shall be provided by means of which switch may be locked in "on" position. A four-conductor, one shielded, 6½ foot, black plastic-jacketed cable shall be furnished with model 719 high impedance microphone. Relay or electronic switching shall be selectable at free end of cable. The finish of the integral stand shall be non-reflecting gray and the microphone case shall be satin chrome. Net weight shall be 2¼ pounds.

The Electro-Voice Model 719 is specified.

WARRANTY

Electro-Voice microphones are guaranteed for the life of the microphone against malfunction due to defects in workmanship and materials. If such malfunction occurs, microphone will be repaired or replaced (at our option) without charge for materials or labor if delivered prepaid to the proper Electro-Voice service facility. Unit will be returned prepaid. Warranty does not cover finish, appearance items, cables, cable connectors, or switches and does not cover malfunction due to abuse or operation at other than specified conditions. Repair by other than Electro-Voice or its authorized service agencies will void this guarantee.

For correct shipping address, instructions on return of Electro-Voice products for repair, and locations of authorized service agencies, please write: Service Department, Electro-Voice, Inc., 600 Cecil Street, Buchanan, Michigan 49107 (Phone 616/695-6831).

Electro-Voice also maintains complete facilities for non-warranty service of E-V products.

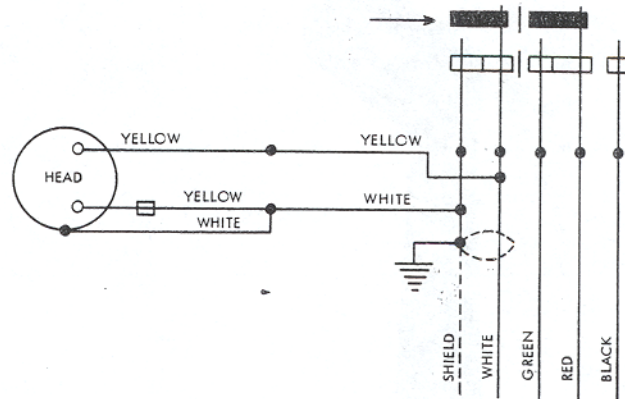


Figure 2 – Wiring Diagram